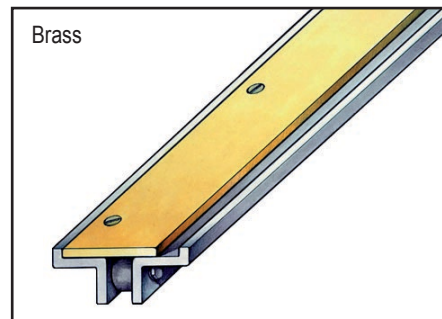
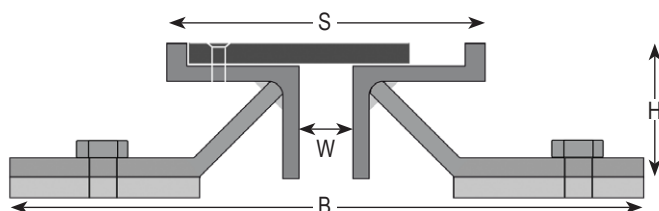




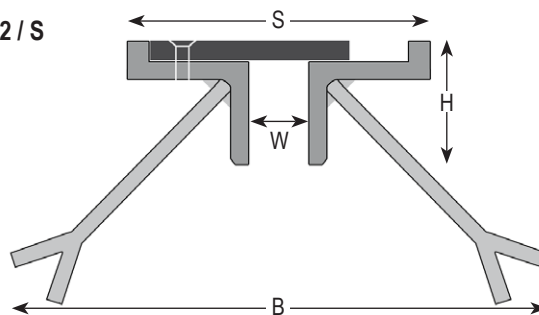
Series JDH 6.02



JDH 6.02 / F



JDH 6.02 / S



Ref. JDH 6.02	6.02-015	6.02-030	6.02-040	6.02-070
W [mm] Gap up to	15	30	40	70
H [mm] Depth	30	57	57	30
B [mm]	145	160	170	200
S [mm]	75	130	140	130
Accommodation of movement M [mm]	+5 / -15	+15 / -10	+15 / -20	+15 / -10
Installation	Special ties			
Material	Galvanized steel or 304 stainless steel side plates Cover part made of galvanized steel, brass or 304 or 316 stainless steel			
Standard length [lm]	6			
Load-bearing capacity [kN]				

Characteristics

Expansion joint especially designed to withstand heavy loads like trucks, forklifts...

This profile is available with galvanized steel side plates and a galvanized steel, brass or 304 or 316 stainless steel cover plate. It is also available with side plates made of 316 stainless steel and a 304 or 316 stainless steel cover plate.

Fixing

This profile can be mounted using anchors for mechanical fastening or chemical bonding.

Applications

All industrial applications, railway stations, airports, malls...

© All rights reserved - Non contractual drawings -12/2014

